



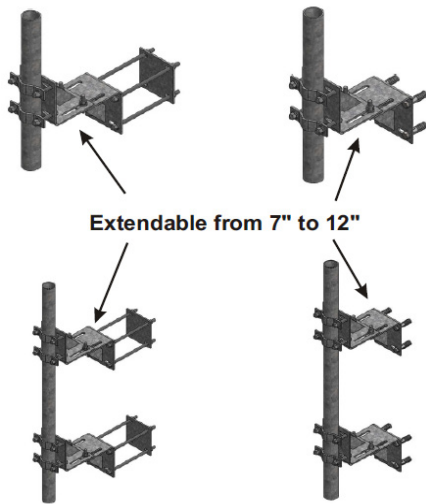
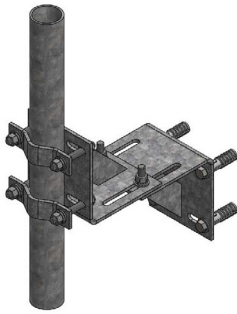
Wireless Solutions Universal Wall Mount Series

for DAS, Small Cell, WiFi and Microwave Applications

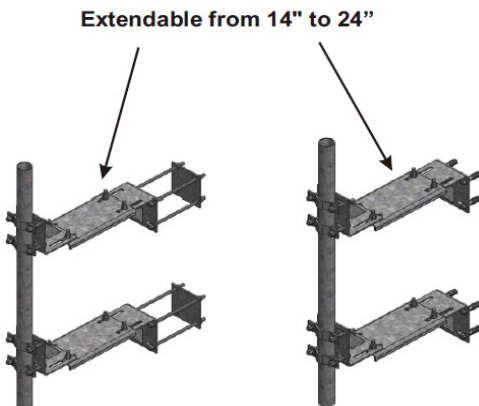
Ensure Reliability of Your Site

Wireless Solutions' Universal Wall Mounts provide a mounting solution for microwave, directional or wireless antennas including RRUs. Mount will accept 3/4" up to 2-3/8" O.D. mounting pipes, which may be purchased separately. The spacing between the brackets on the heavy duty versions are adjustable to maximize stability while accommodating different clamp spacing's for antennas.

Hollow wall versions utilize a 6" x 6" backing plate and four 1/2" x 12" galvanized threaded rods for installation. Solid wall versions include 1/2" x 2-1/2" wedge anchors. All installation hardware is included. Hot-dip galvanized construction ensures long-term reliability and corrosion protection under environmental extremes.



Extendable from 7" to 12"



Extendable from 14" to 24"

Part Number	SKU	DESCRIPTION	Adjustable Stand-Off	Weight	Kit QTY
WSLDHWM-U-712	540733	Universal Light Duty Hollow Wall Mount	7" - 12"	22 lbs	1
WSLDSWM-U-712	540732	Universal Light Duty Solid Wall Mount	7" - 12"	17 lbs	1
WSHDHWM-U-712	510731	Universal Heavy Duty Hollow Wall Mount	7" - 12"	43 lbs	1
WSHDSWM-U-712	519269	Universal Heavy Duty Solid Wall Mount	7" - 12"	34 lbs	1
WSHDHWM-U-1424	510728	Universal Heavy Duty Hollow Wall Mount	14" - 24"	59 lbs	1
WSHDSWM-U-1424	510727	Universal Heavy Duty Solid Wall Mount	14" - 24"	50 lbs	1